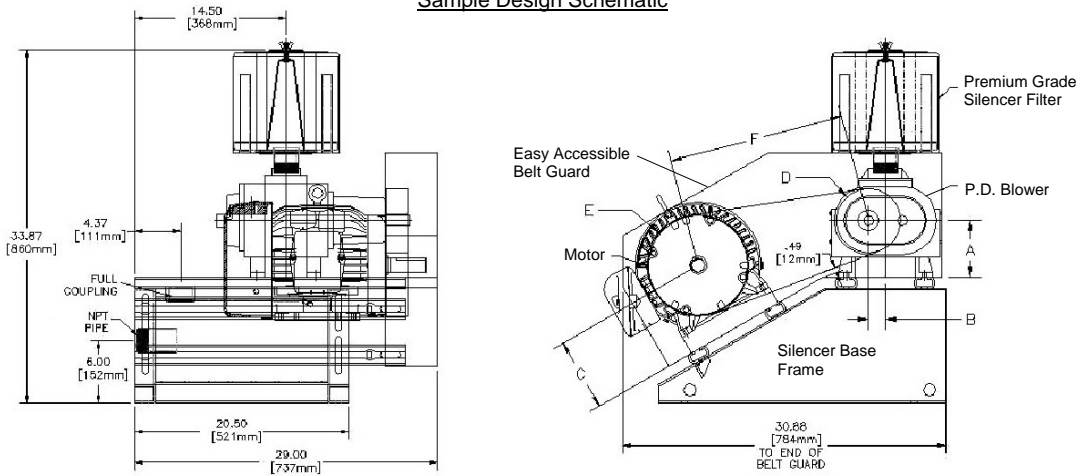


Engineering Assistance - We Help You Design

Silencer Base Frame Worksheet: Sheave and Center Line Sizing for BBF & DL Series

Sample Design Schematic



Company Name: _____ Contact Name: _____ PO Number: _____

Customer Specified

Blower Manufacturer & Model Number: _____

- **Must be Left Hand Drive**

Motor Manufacturer/Horsepower & NEMA Frame: _____

NEMA Frame Motor Base (Y / N) If "Y" List Height: _____

Desired Blower RPM & Motor RPM: _____

Air Flow: _____

Type of Package: (Check One) Pressure / Vacuum

Operating Level: _____ PSI / _____ in Hg

Customer Optional

Blower Shaft Height: **(A)** _____

Left Drive Shaft Offset: **(B)** _____

Motor Shaft Height: **(C)** _____

Note: Model offerings and design parameters may change without notice.



SOLBERG
Discover the Possibilities



Solberg Manufacturing Inc.
1151 Ardmore Ave. Itasca, IL 60143 USA
Sales/Service: 630.773.1363 • Fax: 630.773.0727
E-mail: sales@solbergmfg.com • Web Site: www.solbergmfg.com

BBFB-6181